

**Porta-Gyn® Portable Pelvic Exam Device Instantly Improves Women’s Healthcare**

The patented **Porta-Gyn®** portable pelvic exam device is lightweight, portable and can be deployed on any bed in every hospital, remote medical facility or emergency room in **less than 2 minutes**. The device makes it easy to perform pelvic exams anywhere at a moment’s notice without searching for supplies.

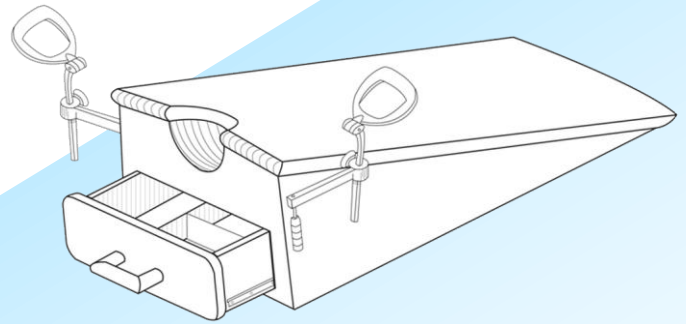


*“Every day, doctors in my E.R. perform dozens of pelvic exams on women whose lives are in danger. Because the proper equipment isn’t available, these exams are conducted with patients propped up on bedpans. I invented the Porta-Gyn® portable pelvic exam device so we can stop using bedpans and start providing better care.”*

– **Pamela Gilley**, Physician Assistant and Inventor

**BENEFITS**

- ▲ **Portable:** Easily and rapidly deploys to any room in hospitals, nursing homes, clinics and field operations.
- ▲ **Lightweight:** Compact, easy to carry and transport. Stores in any small space, supply room or mobile cart.
- ▲ **Perfectly-Sized:** Fits on any bed or surface and can safely accommodate patients of almost any size.
- ▲ **Built for Female Anatomy:** Provides full anatomical access to conduct complete pelvic exams, to facilitate birth, provide emergency care and more.



Models include adjustable stirrups, safety straps, and storage drawer for kits, speculums and other tools.

**Use the Porta-Gyn® Portable Pelvic Exam Device Anywhere**

- |                                     |                              |                                       |
|-------------------------------------|------------------------------|---------------------------------------|
| Emergency Rooms                     | Nursing Homes                | Every Floor of the Hospital           |
| Armed Services Medical Units        | Health Clinics & Urgent Care | Women’s Shelters and Homes            |
| Remote & Disaster Response Agencies | Family Medical Practices     | Medical Missions and Humanitarian Aid |
| Mobile Medical Facilities           | Ambulances & EMTs            | Anywhere Women’s Health is a Focus    |

**COMMON USES**

- ▲ **Emergency Pelvic Exams:** Each day hospitals provide emergency care to thousands of women who need pelvic examinations. However, most hospital beds are NOT equipped with stirrups and there is no current solution to quickly and easily add stirrups when needed. Instant medical care is also needed care in remote locations such as on medical missions, or where the patient cannot be easily moved (i.e. at an off-site emergency). The Porta-Gyn® portable pelvic exam device provides the perfect solution at a moment’s notice.
- ▲ **Child Birth:** Most emergency room beds are not equipped to facilitate births and each year thousands of babies are born to mothers who must be positioned on the floor of the E.R. or while in transport to the hospital. The Porta-Gyn® portable pelvic exam device deploys quickly to provide fast and superior care for women in labor.
- ▲ **Routine OB/GYN Care:** With the Porta-Gyn® portable pelvic exam device, all medical facilities can provide critical ongoing care including cervical exams, bimanual exams and pap tests, as well as screenings for cancer and sexually transmitted diseases.

**PATENT CHECK**



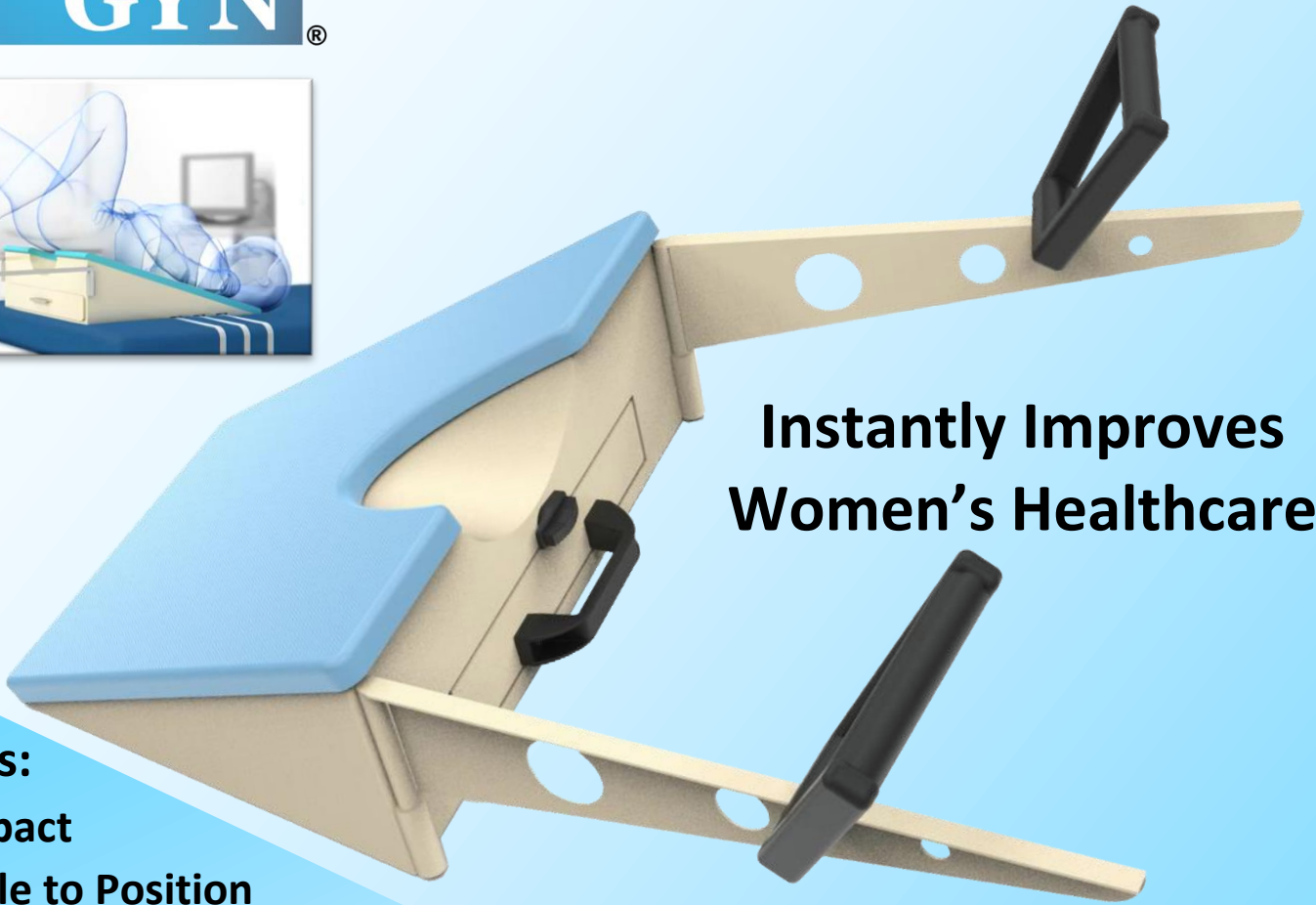
**Licensing Inquiries and Patent Information**

The Porta-Gyn® portable pelvic exam device is protected by United States Patent **#8,875,327**, issued on November 4, 2014. All intellectual property rights are reserved. Schnell Medical, LLC is currently seeking licensees for manufacture and distribution. For further information and to discuss licensing or the sale of these intellectual property rights, contact [info@porta-gyn.com](mailto:info@porta-gyn.com).



# Portable Pelvic Exam Device

PROTECTED BY U.S. PATENT



**Instantly Improves  
Women's Healthcare**

## Features:

- ▲ Compact
- ▲ Simple to Position
- ▲ Easy to Clean and Use
- ▲ Firm, Padded Top Cushion
- ▲ Lightweight and Highly Portable
- ▲ Saves Costs, Time and Storage Space
- ▲ Use on Any Bed, Exam Table or Flat Surface
- ▲ Retractable Stirrups and Concave Examination Well
- ▲ Includes Carrying Handle and Locking Storage Compartment



## PATENT CHECK



**Uses:** ▲ Emergency Response ▲ Pelvic Examinations  
▲ Mobile OB/GYN Care ▲ Child Birth

**Use Anywhere:** ▲ Hospitals ▲ Emergency Rooms  
▲ Remote Locations ▲ Health Clinics ▲ Nursing Homes

For licensing inquiries visit: [www.porta-gyn.com](http://www.porta-gyn.com)